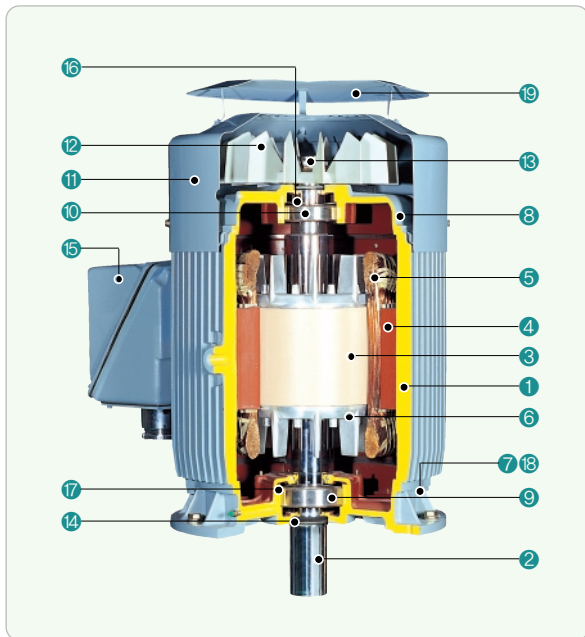
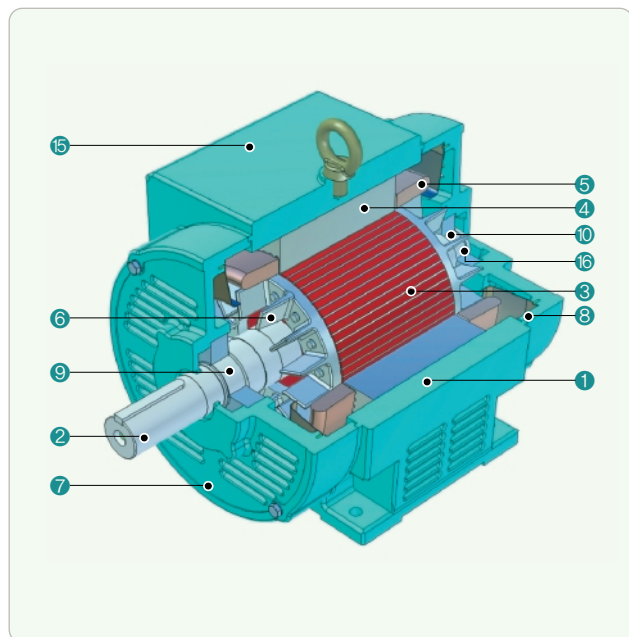


Totally Enclosed Fan Cooled(IP44)



Open Drip-proof(IP22)



► Parts Description

- | | | |
|------------------|----------------------------|----------------------|
| 1 Frame | 8 Bracket(O.D.E) | 15 Terminal Box |
| 2 Shaft | 9 Bearing(D.E) | 16 Wave Spring |
| 3 Rotor Core | 10 Bearing(O.D.E) | 17 Inner Bearing Cap |
| 4 Stator Core | 11 Fan Cover | 18 Flange |
| 5 Stator Coil | 12 Fan | 19 Canopy |
| 6 Bar & End Ring | 13 Fan Clamp | |
| 7 Bracket(D.E) | 14 V-Ring or Slinger(IP55) | |